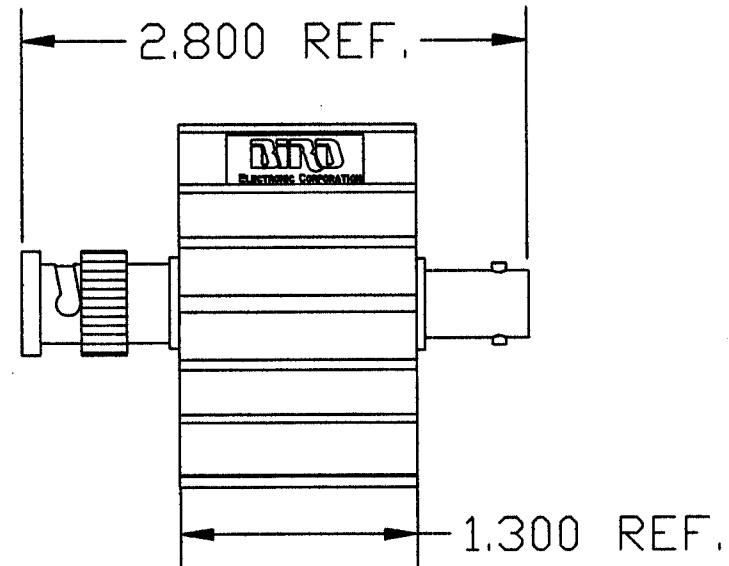
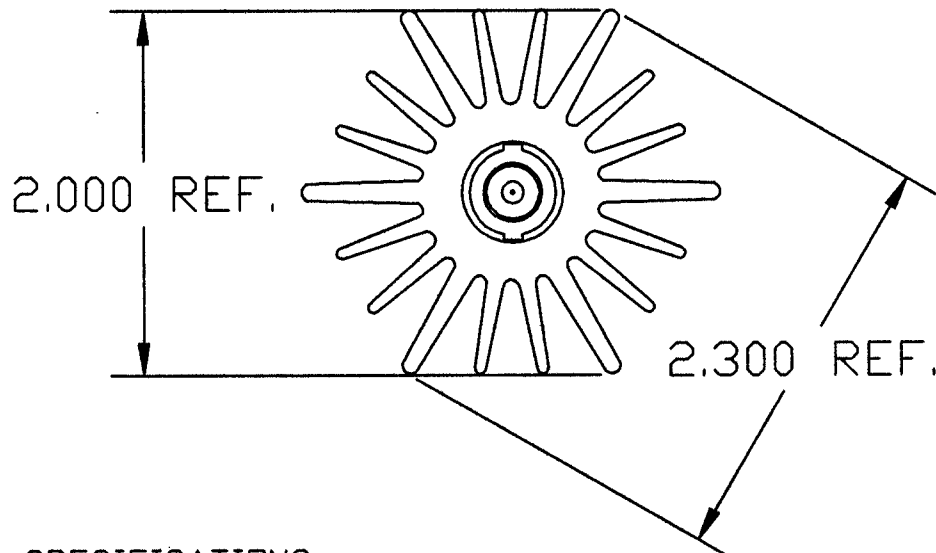


PART NUMBER
10-A-MFB-XX
 REV. A 12-23-97, ECN# 0185
 REV. B 2-3-00, ECN# 0246



SPECIFICATIONS:

10 WATT BI-DIRECTIONAL COAXIAL ATTENUATOR

POWER RATING: 10 WATTS MAXIMUM @ 40° C.
 12 WATTS MAXIMUM @ 25° C.

CONNECTORS: BNC-TYPE, MALE-FEMALE

FREQUENCY RANGE & VSWR: DC TO 1GHz AT 1.10:1 MAX.
 1GHz TO 4GHz AT 1.25:1 MAX.

IMPEDANCE: 50 OHMS, NOMINAL

AMBIENT TEMPERATURE RANGE: -40° C TO +40° C

OPERATING POSITION: ANY

COOLANT: DRY (CONVECTION COOLED)

FINISH: BLACK ANODIZED COOLING FINS, SILVER OR TRI-ALLOY PLATED CONNECTORS

NOMINAL SIZE: 2.8" L X 2.3" DIA. (WITH BNC-TYPE MALE, FEMALE CONNECTORS)

WEIGHT: APPROX. 5 OZ.

XX = dB VALUE

XX	dB ATTEN.	ACCURACY ±dB	
		DC - 1GHz	1 - 4GHz
-01	1	0.3	0.5
-02	2	0.3	0.5
-03	3	0.3	0.5
-06	6	0.4	0.6
-10	10	0.4	0.8
-20	20	0.5	1.0
-30	30	0.8	1.3

UNLESS OTHERWISE SPECIFIED TOLERANCES ARE
 XX = +/- .015
 XXX = +/- .005

SCALE
 DIM. ARE IN INCHES

APPROVED BY *RM*

DATE 2-3-00

BIRD COMPONENT PRODUCTS INC.

DESCRIPTION
 FINAL ASSEMBLY, 10 WATT ATTENUATOR (BNC-TYPE MALE, FEMALE)

DWG. BY DMD DATE 12-23-97 PART NUMBER 10-A-MFB-XX REV. B